

SOLENOID VALVES

4707 Massachusetts Ave. - P.O. Box 18128
 Indianapolis, Indiana 46218-0128
 Ph: 1-800-63 GOULD Fx: (317) 547-5234
 Web: <http://www.gouldvalve.com>
 E-mail: gouldvalve@gouldvalve.com



1/4" - 3/8" NPT TYPE A Series

2-WAY – CAST BRONZE BODIES - PACKLESS
 VELVETROL® INTERNAL PISTON PILOT OPERATED SOLENOID VALVES
 NORMALLY CLOSED OR NORMALLY OPEN - FULL PORT



- ★ FOR: GENERAL SERVICE-AIR-INERT GASES-WATER-OIL-STEAM
- ★ PRESSURES: 5 PSI DIFFERENTIAL MINIMUM TO 1200 PSI MAXIMUM
- ★ TEMPERATURE: -420°F. MIN TO 450°F MAX. FLUID
- ★ MOUNTING: INSTALL IN HORIZONTAL LINE WITH COIL UPRIGHT AND ON TOP

SIZES 1/4" - 3/8" NPT FULL PORT

★ **SERVICE RATINGS** Pricing, Service & Electrical Ratings shown in the List Price Schedule. Valves will be furnished for 5-150 PSI and 120 VAC Unless Otherwise Specified.

NORMALLY CLOSED--		--NORMALLY OPEN
TYPE A	GENERAL SERVICE AIR-WATER-OIL-INERT GASES 5-150 PSI, 300°F. Max. Fluid, Class F Coil	TYPE AR
TYPE AST	GENERAL SERVICE AIR-WATER-OIL-INERT GASES 10-400 PSI, (10-300 Normally Open) 300°F. Max. Fluid, Class F Coil	TYPE AR
TYPE AHP	LIQUID SERVICE ONLY 20-1200 PSI, 300°F. Max. Fluid, Class F Coil	n/a
ADD -1	HIGH TEMP. (CLASS N) COILS - FLUID TEMP. TO 450°F. STEAM to 200 PSI.	ADD -1
ADD -2	EXPLOSION PROOF COIL HOUSING – NEMA 7	ADD -2
ADD -3B, -3EP -3V, -3T	LEAKPROOF PILOT SEAT: -3B O-RING (BUNA, ETHYLENE- PROPYLENE, FLOUROCARBON (VITON®), & PTFE); -3T PTFE, -3V FLOUROCARBON (VITON®)	ADD -3B, -3EP -3V, -3T
ADD -9	CRYOGENIC APPLICATIONS – Fluid temps to -420°F	ADD -9
ADD -24	WATER TIGHT COIL HOUSING - NEMA 4	ADD -24
ADD -25	DUST TIGHT COIL HOUSING - NEMA 5	ADD -25
ADD -57	MANUAL RESET - SAFETY SHUT-OFF, NO VOLTAGE RELEASE.	ADD -57
ADD -81, -84	-81 SLOW CLOSE (REDUCES WATER HAMMER) -84 QUICK CLOSE (BOTH FACTORY SETUPS)	ADD -81, -84
ADD -FL	PIPE CONNECTION: -FL FLANGE	ADD -FL

★ **CONSTRUCTION:**

CLASS F & N COILS are Waterproof, Fungusproof, Molded of Filled Polyester with 18" Leads.
 BODIES are Sand Cast in Bronze rated 1200 psi. PISTON SPRINGS are 316 or 302 SS.
 BONNET ASSEMBLIES are 304 SS TUBES silver soldered to Brass BONNET and TUBE PLUG.
 PISTON ASSEMBLIES are Brass with Filled Teflon® PISTON RINGS, Stainless Steel EXPANDERS, and Buna,
 EP, Fluorocarbon Or Virgin Teflon® SEAT DISCS.
 PILOT ASSEMBLIES are 416 SS ARMATURE with a 316 SS PILOT POINT and 316 SS PINS.

★ **SPECIALS:**

Teflon® Coated Pistons & other Special Assemblies Available. Non-Standard Coils are Available with Voltage, Wattage, and Lead Wire Length to your specifications. Consult Factory.

★ **TERMS AND CONDITIONS OF SALE:** See Back Cover of the List Price Schedule.

PERFORMANCE, ORDERING AND INSTALLATION GUIDE

ORDERING DATA--SPECIFY PIPE SIZE, TYPE, FLUID, OPERATING PRESSURE, TEMPERATURE RANGE, ELECTRICAL SPECIFICATIONS, BACK PRESSURE (IF ANY).

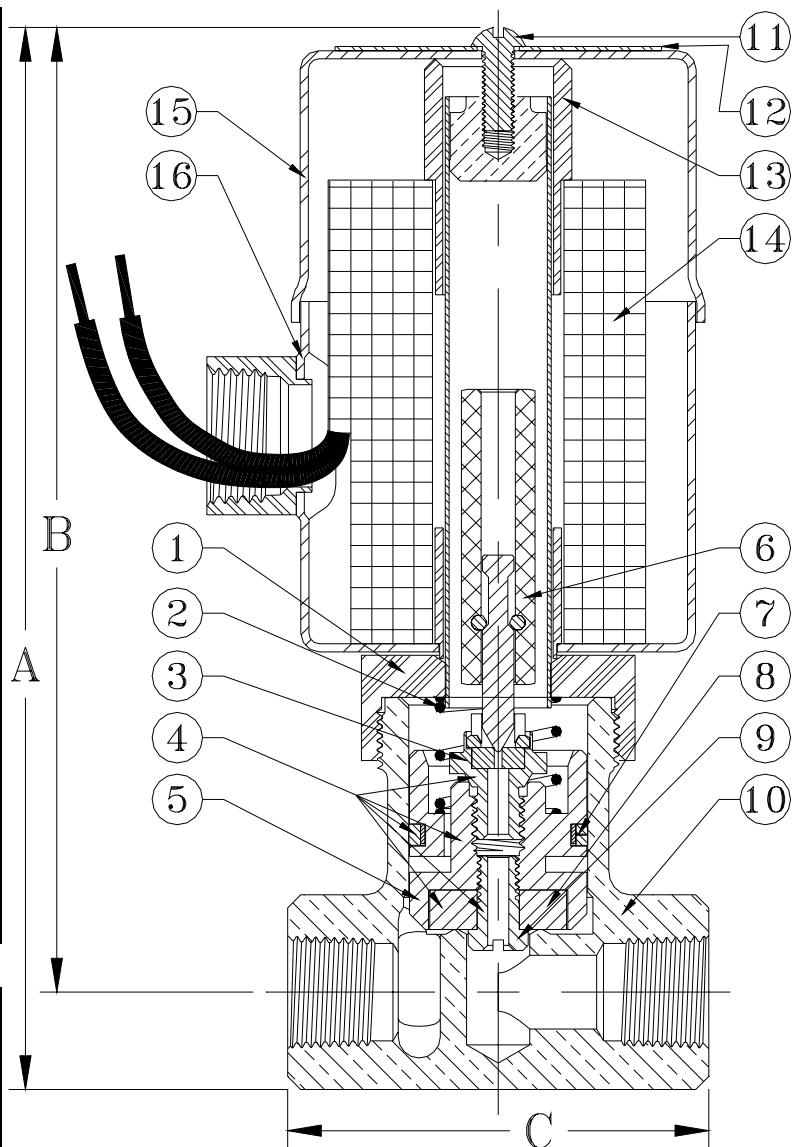
FLOW CHARACTERISTICS--SEE FLOW CURVES IN BULLETIN 5-FL, OR Cv FACTORS LISTED BELOW AND IN BULLETIN CP-1.

OPERATION--PISTON PILOT OPERATED. MINIMUM PRESSURE DROP OF 5 PSI (ΔP) IS REQUIRED ACROSS VALVE FOR OPERATION.

MOUNTING--MOUNT IN HORIZONTAL LINE WITH COIL VERTICAL AND ON TOP. INSTALL 40 MESH STRAINER (NOT LARGER) AHEAD OF VALVE. CHECK FOR PROPER COIL VOLTAGE. MAKE SURE THAT THE FLOW ARROW ON VALVE BODY IS POINTING IN THE DIRECTION OF FLOW.

SERVICING--SOLENOID VALVES SHOULD BE FREQUENTLY CHECKED FOR OPERATION, CLEANLINESS, & INTERNAL WEAR - REPAIR KITS ARE FACTORY AVAILABLE --GIVE SIZE, TYPE, SERIAL NUMBER OR OPERATING DATA (VOLTAGE, PRESSURE, ETC.)

#	Part Description	Valve Type	1/4"	3/8"
1	N. C. Bonn. Assm.	A	67A	67A
	N. O. Bonn. Assm.	AR	67R	67R
	N. C. XP Bonn. Assm.	A-2	67AXP	67AXP
	N. O. XP Bonn. Assm.	AR-2	67RXP	67RXP
2	Piston Spring	ALL	37-14	37-14
3	SeatScrew	ALL	31-x	31-x
4	Piston Assembly	ALL	29-2x	29-2x
5	Piston Only	ALL	29	29
6	N. C. Pilot Assm.	A	21-1	21-1
	N. O. Pilot Assm.	AR	32R-2	32R-2
	N. C. XP Pilot Assm.	A-2	25-1	25-1
	N. O. XP Pilot Assm.	AR-2	32R-1	32R-1
7	Piston Ring & Expander	ALL	57	57
8	Seat Disc	ALL	36-12x	36-12x
9	DiscScrew	ALL	33-2	33-2
10	Body	ALL	64-1	64-2
11	Coil Screw	ALL	9	9
12	Nameplate	ALL	44-1-1	44-1-1
13	N.C. Top Nip	A	115-2	115-2
	N.O. Top Nip	AR	115-3	115-3
	XP End Plate	A-2 & AR-2	113	113
14	Coil	Consult Factory or Price Schedule		
15	N.C. Coil Cover	A	89	89
	N.O. Coil Cover	AR	89NO	89NO
	N.C. XP Coil Cover	A-2	42NC	42NC
	N.O. XP Coil Cover	AR-2	42NO	42NO
	Bolts	A-2 & AR-2	9-4	9-4
	Washers	A-2 & AR-2	46-3	46-3
16	Coil Housing	A & AR	87	87
	XP Coil Housing	A-2 & AR-2	41A	41A
	Cv	ALL	1.2	2.0



3/8" Type A-3V

Dimension	Valve Type (Independent of Pipe Size)			
	A	AR	A-2	AR-2
A	6.4 in	7.2	6.8	6.9
B	5.8 in	6.6	6.2	7.3
C	2.5 in	2.5	2.5	2.5
Weight	3 lbs	3 lbs	7 lbs	7 lbs