

## SOLENOID VALVES

4707 Massachusetts Ave. - P.O. Box 18128  
 Indianapolis, Indiana 46218-0128  
 Ph: 1-800-63 GOULD    Fx: (317) 547-5234  
 Web: <http://www.gouldvalve.com>  
 E-mail: [gouldvalve@gouldvalve.com](mailto:gouldvalve@gouldvalve.com)



1/8" • 1/4" • 3/8" NPT  
**TYPE GX SERIES**

2-WAY • PACKLESS • DIRECT ACTING  
 GENERAL PURPOSE SOLENOID VALVES  
 NORMALLY CLOSED OR NORMALLY OPEN • FRACTIONAL PORT



- ★ SIZES: 1/8", 1/4", 3/8" NPT • FRACTIONAL ORIFICE
- ★ MAT'L: ALL INTERNAL PARTS ARE 316 STAINLESS STEEL
- ★ FOR: CORROSIVE SERVICE-AIR-INERT GASES-WATER-OIL-STEAM
- ★ PRESSURES: 0 TO RATED MAXIMUM
- ★ TEMPERATURE: -420°F. MIN TO 450°F MAX. FLUID
- ★ MOUNTING: INSTALL IN HORIZONTAL LINE WITH COIL UPRIGHT AND ON TOP

### SIZES 1/8" - 3/8" NPT FRACTIONAL PORT

#### ★ SERVICE RATINGS

Pricing, Service & Electrical Ratings shown in the List Price Schedule.  
 Valves will be furnished for 60 psi Air & Water Service and 120 VAC Unless Otherwise Specified.

CORROSIVE SERVICE: AIR-WATER-OIL-INERT GAS 0 to Maximum Operating Pressure Differential 300°F. Max. Fluid Temperature Class F Coil 12, 24, 55, 120, 240, 480 VAC 50/60 Hz 12, 24, 32, 115, 230 VDC	MAXIMUM OPERATING PRESSURE DIFFERENTIAL									
	TYPE		ORIFICE	1/4"	7/32"	3/16"	5/32"	1/8"	3/32"	1/16"
	NORMALLY CLOSED	GX 26 WATTS MAX	AIR-GAS	15	23	30	45	60	120	200
WATER			10	15	20	30	45	80	150	
OIL			5	8	10	15	27	40	75	
GX-S 26 WATTS MAX		AIR-GAS	40	82	120	175	300	300	300	
		WATER	30	46	60	90	140	250	300	
		OIL	15	24	32	45	75	130	230	
NORM OPEN	GRX 26 WATTS MAX	AIR-GAS	40	46	50	70	100	150	250	
		WATER	28	33	36	60	70	100	200	
		OIL	10	13	15	25	35	50	100	

HIGH TEMP. SERVICE: AIR-INERT GASES-STEAM- HOT LIQUIDS 0 to Maximum Operating Pressure Differential 450°F. Max. Fluid Temperature Class N Coil 120, 240, 480 VAC 50/60 Hz,	MAXIMUM OPERATING PRESSURE DIFFERENTIAL									
	TYPE		ORIFICE	1/4"	7/32"	3/16"	5/32"	1/8"	3/32"	1/16"
	NORMALLY CLOSED	GX-1 28 WATTS MAX	AIR-GAS	15	18	20	30	45	65	120
WATER			10	13	15	20	30	45	80	
OIL			5	6	7	10	15	20	40	
STEAM			15	18	20	30	45	65	120	
NORMALLY OPEN	GRX-1 28 WATTS MAX	AIR-GAS	28	32	35	50	70	100	150	
		WATER	20	23	25	40	50	70	150	
		OIL	7	8	10	16	25	35	70	
		STEAM	28	32	35	50	70	100	150	

<b>ADD -2</b>	EXPLOSION PROOF COIL HOUSING – NEMA 7
<b>ADD -3B, -3T, -3V, -3EP</b>	LEAKPROOF SEAT: -3B: BUNA, -3T: PTFE (Teflon®), -3V: FLOUROCARBON (VITON®), -3EP: ETHYLENE PROPYLENE
<b>ADD -24</b>	WATER TIGHT COIL HOUSING - NEMA 4 & NEMA 7
<b>ADD -25</b>	DUST TIGHT COIL HOUSING - NEMA 5 & NEMA 7
<b>ADD -57</b>	MANUAL RESET, SAFETY SHUT-OFF, NO VOLTAGE RELEASE.
<b>ADD -9</b>	SPECIAL CONSTRUCTION FOR CRYOGENIC APPLICATIONS. FLUID TEMPERATURE TO -420°F

★ **CONSTRUCTION:** CLASS F & N COILS are Waterproof, Fungusproof, Molded of Filled Polyester with 18" Leads. 316 Stainless Steel PLUNGER TUBE is Welded into the 90° Angled 316 Stainless Steel BODY, providing side inlet and bottom outlet. The PILOT has a 316 SS JACKET Welded around a carbon steel CORE, that provides direct opening and closing of the valve. All COIL HOUSINGS have 1/2" threaded conduit connections.

- ★ **SPECIALS:** Teflon® Coated Pilot & other Special Assemblies Available. Non-Standard Coils are Available with Voltage, Wattage, and Lead Wire Length to your specifications. Consult Factory.
- ★ **TERMS AND CONDITIONS OF SALE:** See Back Cover of the List Price Schedule

## PERFORMANCE, ORDERING AND INSTALLATION GUIDE

**ORDERING DATA**--SPECIFY PIPE SIZE, TYPE, FLUID, OPERATING PRESSURE, TEMPERATURE RANGE, ELECTRICAL SPECIFICATIONS, BACK PRESSURE (IF ANY).

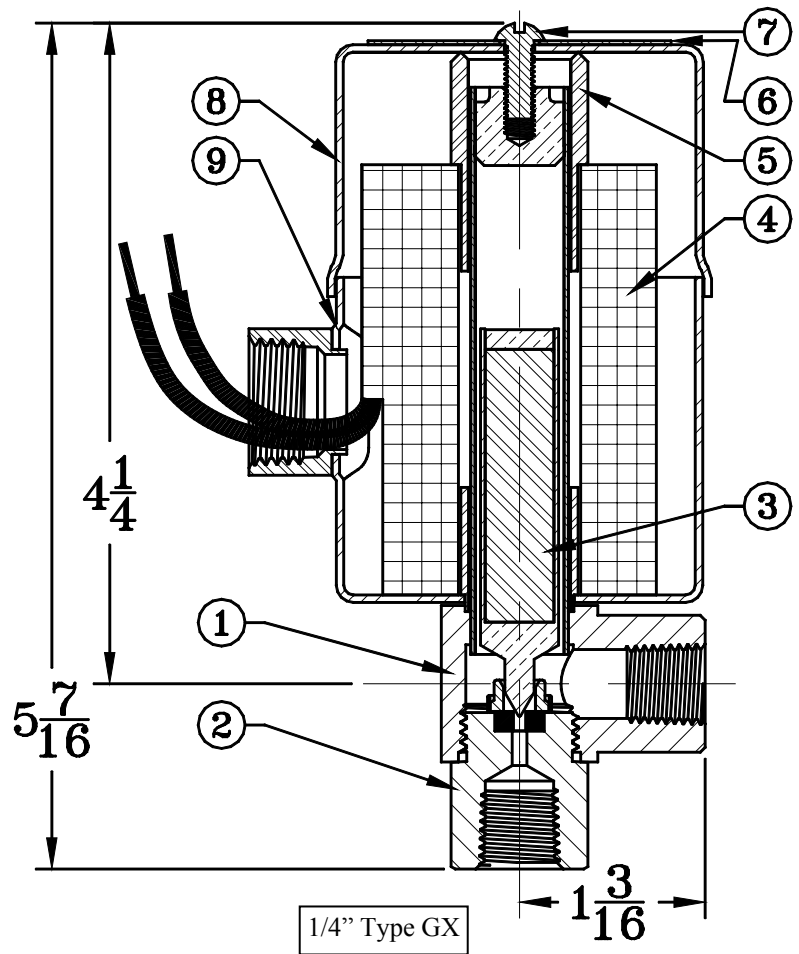
**FLOW CHARACTERISTICS**--SEE FLOW CURVES IN BULLETIN 5-FL, OR Cv FACTORS LISTED BELOW AND IN BULLETIN CP-1.

**OPERATION**—DIRECT ACTING FOR OPERATION FROM 0 TO RATED PRESSURE.

**MOUNTING**--MOUNT IN HORIZONTAL LINE WITH COIL VERTICAL AND ON TOP. INSTALL 40 MESH STRAINER (NOT LARGER) AHEAD OF VALVE. CHECK FOR PROPER COIL VOLTAGE. MAKE SURE THAT THE FLOW INLET IS ON THE SIDE AND THE OUTLET IS DOWN.

**SERVICING**--SOLENOID VALVES SHOULD BE FREQUENTLY CHECKED FOR OPERATION, CLEANLINESS, & INTERNAL WEAR - REPAIR KITS ARE FACTORY AVAILABLE --GIVE SIZE, TYPE, SERIAL NUMBER OR OPERATING DATA (VOLTAGE, PRESSURE, ETC.)

#	Part Description	NEMA Rating	TYPES G, -2,-24,-25		
			1/8"	1/4"	3/8"
1	Body	1	P1801GX	P1802GX	P1803GX
	XP Body	4, 5, 7	P1801GXXP	P1802GXXP	P1803GXXP
	N.O. Body	1	P1801GRX	P1802GRX	P180GRX
	N.O. XP Body	4, 5, 7	P1801GRXXP	P1802GRXXP	P1803GRXXP
2	Body Nut	ALL	1811GXx	1812GXx	1813GXx
3	Pilot Assm.	1	P2421	P2421	P2421
	XP Pilot Assm.	4, 5, 7	P2421	P2421	P2421
	N.O. Pilot Assm.	1	P242R4	P242R4	P242R4
	N.O. XP Pilot Assm.	4, 5, 7	P242R4	P242R4	P242R4
4	Coil	ALL			
5	Top Nip	1	115-2	115-2	115-2
	XP End Plate	4, 5, 7	113	113	113
	N.O. Top Nip	1	115-3	115-3	115-3
6	Nameplate	ALL	44-1x	44-1x	44-1x
7	Screw	ALL	9	9	9
8	Coil Cover	1	89	89	89
	XP Coil Cover	4, 5, 7	42NC	42NC	42NC
	N.O. Coil Cover	1	89NO	89NO	89NO
	N.O. XP Coil Cover	4, 5, 7	42NO	42NO	42NO
	Bolts	4, 5, 7	9-4	9-4	9-4
	Washers	4, 5, 7	46-3	46-3	46-3
9	Coil Housing	1	87	87	87
	XP Coil Housing	4, 5, 7	41A	41A	41A



Physical Dimensions										
Orifice	3/64"	1/16"	5/64"	3/32"	7/64"	1/8"	5/32"	3/16"	7/32"	1/4"
Cv	0.05	0.08	0.12	0.18	0.26	0.30	.050	.070	1.00	1.20
Shipping Weight for all Nema 1 Type GX Valves is 2 lbs										
Shipping Weight for all Nema 4, 5, & 7 Type GX (-2) Valves is 6 lbs										
For Height Values of Nema 4, 5, & 7 Valves Add 0.69"										
For Height Values of Normally Open Valves Add 1.00"										
For Height Values of Normally Open, Nema 4, 5, & 7 Valves Add 1.75"										