

SOLENOID VALVES

4707 Massachusetts Ave. - P.O. Box 18128
 Indianapolis, Indiana 46218-0128
 Ph: 1-800-63 GOULD Fx: (317) 547-5234
 Web: <http://www.gouldvalve.com>
 E-mail: gouldvalve@gouldvalve.com



1/8"-3" NPT & 4" FI
TYPES Q, J, A, B, D,
F, G, GX, K, KX, EF,
AD, QD, KD

2-WAY BRASS, BRONZE, STAINLESS STEEL, & DUCTILE IRON BODIES,
 VELVETROL® INTERNAL PISTON PILOT OPERATED, DIRECT LIFT OR
 ZERO DIFFERENTIAL SOLENOID VALVES FOR GENERAL SERVICE.
 NORMALLY CLOSED OR NORMALLY OPEN - FULL OR FRACTIONAL
 PORT



- ★ FOR: SYSTEMS REQUIRING A MANUAL RESET OF THE VALVE AFTER POWER LOSS
- ★ PRESSURES: 0 TO 1200 PSI MAXIMUM (DEPENDING ON TYPE)
- ★ TEMPERATURE: -40°F. to 300°F MAX. FLUID TEMP • CLASS F COILS
- ★ MOUNTING: INSTALL IN HORIZONTAL LINE WITH COIL UPRIGHT AND ON TOP

SIZES 1/8" – 3" NPT FULL PORT

- ★ **SERVICE RATINGS** Complete Pricing, Service & Electrical Ratings shown in the List Price Schedule.
 Valves will be furnished for 120VAC, 60hz Unless Otherwise Specified.

NORMALLY CLOSED--		--NORMALLY OPEN
TYPE Q-3B-57, (also -3EP, -3V, -3T)	5-150, 10-400 PSI (Normally Open to 300 PSI) 12, 24, 120, 240, 480 VAC 50-60 Hz 6, 12, 24, 48, 115, 230 VDC	TYPE QR-3B-57, (also -3EP, -3V, -3T)
TYPE J-3B-57 (also -3EP, -3V, -3T)	0-250 PSI 6, 12, 24, 48, 115, 230 VDC 120, 240, 480 VAC 60 Hz.	N/A
TYPE A-57 (also -3B, -3EP, -3V, -3T)	5-150 PSI, 10-400 PSI, 20-1000 PSI (Normally Open to 300 PSI) 12, 24, 120, 240, 480 VAC 50-60 Hz 6, 12, 24, 48, 115, 230 VDC	TYPE AR-57 (also -3B, -3EP, -3V, -3T)
TYPE B-57 (also -3B, -3EP, -3V, -3T)	5-150 PSI, 10-300 PSI (Normally Open to 300 PSI) 12, 24, 120, 240, 480 VAC 50-60 Hz 6, 12, 24, 48, 115, 230 VDC	TYPE BR-57 (also -3B, -3EP, -3V, -3T)
TYPE D-57 (also -3B, -3EP, -3V, -3T)	5-150 PSI, 10-400 PSI, 20-1200 PSI (Normally Open to 300 PSI) 12, 24, 120, 240, 480 VAC 50-60 Hz 6, 12, 24, 48, 115, 230 VDC	TYPE DR-57 (also -3B, -3EP, -3V, -3T)
TYPE F-57 (also -3B, -3EP, -3V, -3T)	0-600 PSI (Normally Open to 300 PSI) 12, 24, 120, 240, 480 VAC 50-60 Hz 6, 12, 24, 48, 115, 230 VDC	TYPE FR-57 (also -3B, -3EP, -3V, -3T)
TYPE G-57 (also -3B, -3EP, -3V, -3T)	0-600 PSI (Normally Open to 300 PSI) 12, 24, 120, 240, 480 VAC 50-60 Hz 6, 12, 24, 48, 115, 230 VDC	TYPE GR-57 (also -3B, -3EP, -3V, -3T)
TYPE GX-57 (also -3B, -3EP, -3V, -3T)	0-300 PSI (Normally Open to 300 PSI) 12, 24, 120, 240, 480 VAC 50-60 Hz 6, 12, 24, 48, 115, 230 VDC	TYPE GRX-57 (also -3B, -3EP, -3V, -3T)
TYPE K-57 (also -3B, -3EP, -3V, -3T)	5-125, 10-250 PSI 24, 120, 240, 480 VAC (50/60 Hz), 26 Watts Max. 6, 12, 24, 48, 115, 230 VDC, 24 Watts Max.	TYPE KR-57 (also -3B, -3EP, -3V, -3T)
TYPE KX-57 (also -3B, -3EP, -3V, -3T)	5-125, 10-250 PSI 24, 120, 240, 480 VAC (50/60 Hz), 26 Watts Max. 6, 12, 24, 48, 115, 230 VDC, 24 Watts Max.	TYPE KRX-57 (also -3B, -3EP, -3V, -3T)

★ **CONSTRUCTION:**

Valves are provided with CLASS F COILS that are Waterproof, Fungusproof, Molded of Filled Polyester, wired through a relay and a switch. All electrical components and associated wiring are contained in NEMA 1, COIL ENCLOSURES (junction box).

For additional information, such as individual part lists or dimensions please refer to Bulletins 200-Q, 900-J, 400-A, 600-B, 620-D, 800-K, 1001-QKD, 4000-FG, and 5000-GX.

★ **SPECIALS:**

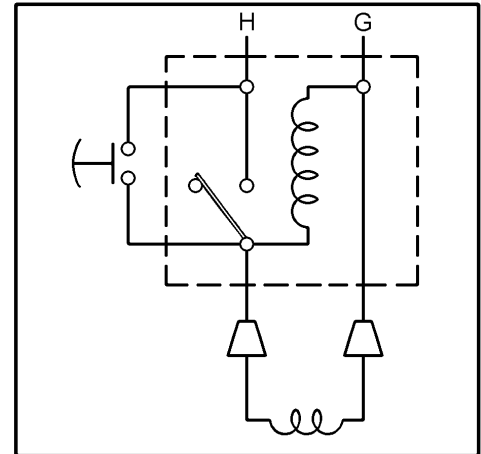
Consult Factory

OPERATION--All Type Q, A, B, D, & EF Valves are PISTON PILOT OPERATED. Minimum pressure drop of 5 psi (ΔP) is required across valve for proper operation. Type J is a ZERO DIFFERENTIAL valve, and requires no minimum pressure differential (ΔP). Types F, G, & GX are DIRECT ACTING, with fractional port sizes. Types AD, QD & KD are DIRECT ACTING, full port, but with limited pressure range.

MOUNTING--Mount in horizontal line with coil vertical and on top. Install 40 mesh strainer (not larger) ahead of valve. Check for proper coil voltage. Make sure that the flow arrow on valve body is pointing in the direction of flow.

SERVICING--Solenoid Valves should be frequently checked for operation, cleanliness, & internal wear - Repair Kits are Factory Available --Give Size, Type, Serial Number or Operating Data (voltage, pressure, etc.)

GENERAL INFORMATION--These valves are designed specifically to **require human intervention to start**. Once the power to the valve is interrupted, whether by normal shutdown or by power outage, **the valve will remain in an off condition until power is re-supplied, AND the RESET BUTTON on the front of the coil housing de-pressed**



Wiring Schematic for Manual Reset Coil



Photo of Internal Coil Housing Detail

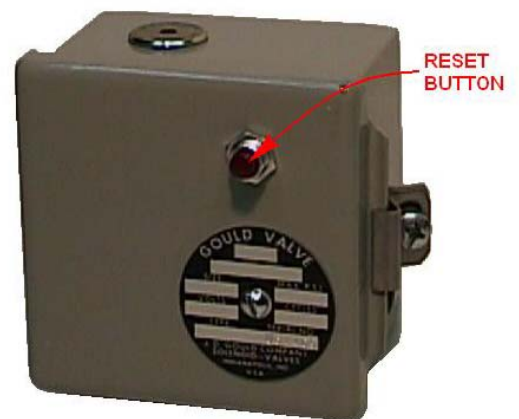


Photo Showing Reset Button Location